

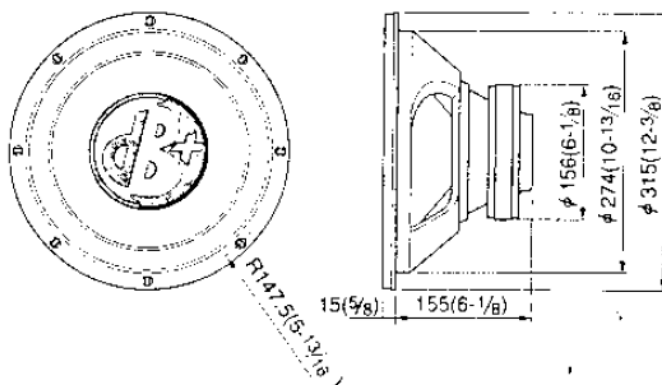
KFC-XW10Db / KFC-XW12dB

Specifications

	KFC-XW12dB	KFC-XW10dB
Subwoofer	300 mm (12") PBO Cone type	250 mm (10") PBO Cone type
Nominal Impedance	4 Ω	4 Ω
Peak Input Power	1,000 W	800 W
Rated Input Power	250 W	200 W
Sensitivity	93 dB/W at 1 m	92 dB/W at 1 m
Free Air Resonance	19.3 Hz	24.4 Hz
Frequency Response	23 Hz ~ 600 Hz	25 Hz ~ 600 Hz
Dimensions		
Diameter	315 mm (12-3/8")	266 mm (10-1/2")
Depth	170 mm (6-11/16")	155 mm (6-1/8")
Mounting Depth	155 mm (6-1/8")	140 mm (5-1/2")
Net Weight	5,500 g	4,400 g
Supplied Parts	Screw ø 4 - 25 × 8 Spacer × 1	Screw ø 4 - 25 × 8 Spacer × 1

Dimensions

■ KFC-XW12dB



■ KFC-XW10dB

